



# H0BF 32A-400A

Class of Operation: aR  
保护特性: aR



Standard/ 标准: IEC 60269-4, GB/T 13539.4, UL 248-13

**INTERRUPTING CAPACITY / 分断能力:**

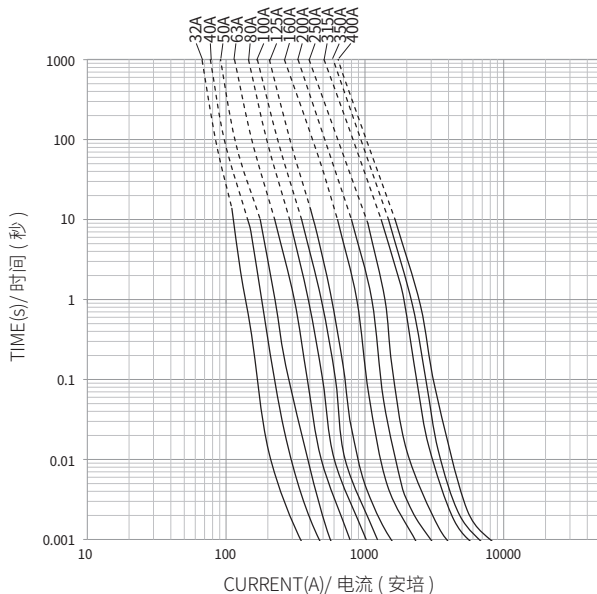
100,000 A at 1250V AC  
50,000 A at 1000V DC

**TECHNICAL PARAMETERS/ 技术参数:**

PART NO. 目录编号			额定电 流 Rated Current	额定电 压 Rated Voltage	SAFETY APPROVALS 安全认证			
Type-A Type center Indicator for micro	Type-C Visual Indicator	Type-D No Visual Indicator			CCC	cURus	TUV	CE
H0BF32	H0BF32C	H0BF32D	32A	1250V AC 1000V DC	●	●	●	●
H0BF40	H0BF40C	H0BF40D	40A		●	●	●	●
H0BF50	H0BF50C	H0BF50D	50A		●	●	●	●
H0BF63	H0BF63C	H0BF63D	63A		●	●	●	●
H0BF80	H0BF80C	H0BF80D	80A		●	●	●	●
H0BF100	H0BF100C	H0BF100D	100A		●	●	●	●
H0BF125	H0BF125C	H0BF125D	125A		●	●	●	●
H0BF160	H0BF160C	H0BF160D	160A		●	●	●	●
H0BF200	H0BF200C	H0BF200D	200A		●	●	●	●
H0BF250	H0BF250C	H0BF250D	250A		●	●	●	●
H0BF315	H0BF315C	H0BF315D	315A		●	●	●	●
H0BF350	H0BF350C	H0BF350D	350A		●	●	●	●
H0BF400	H0BF400C	H0BF400D	400A		●	●	●	●

● DENOTES FOR APPROVAL      ● 表示已取得安全认证  
○ DENOTES FOR PENDING      ○ 表示正在申请安全认证

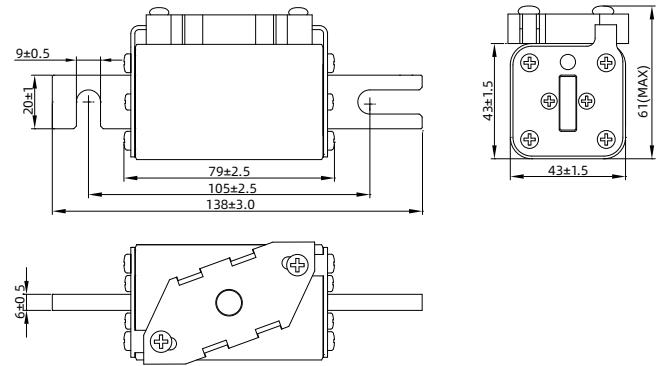
**H0BF 平均 I-T 曲线图 (仅供参考)**  
AVERAGE I-T CHARACTERISTICS CURVE  
(FOR REFERENCE ONLY)



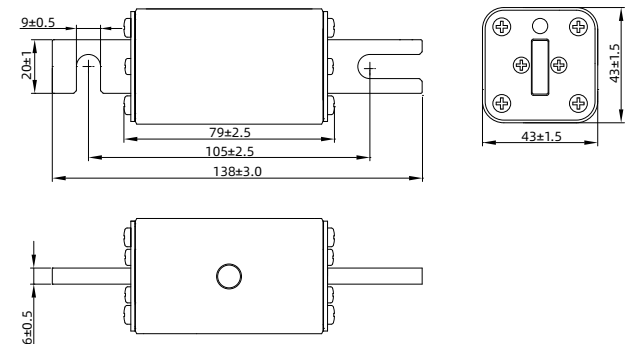
**Dimensions/ 尺寸:**

Unit 单位: mm

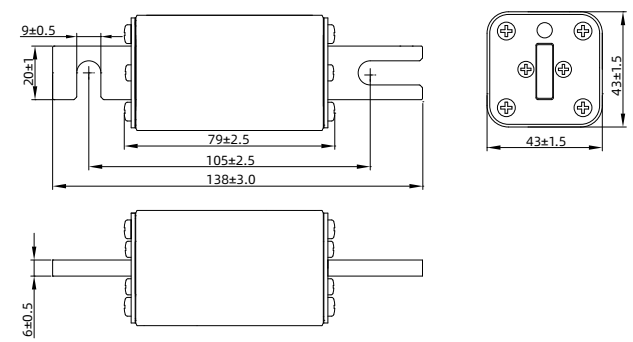
Type-A



Type-C



Type-D



可选配件 Optional Accessory

目录编号 PART NO.

微动开关 Microswitches

H0BFXXX

HMC-01